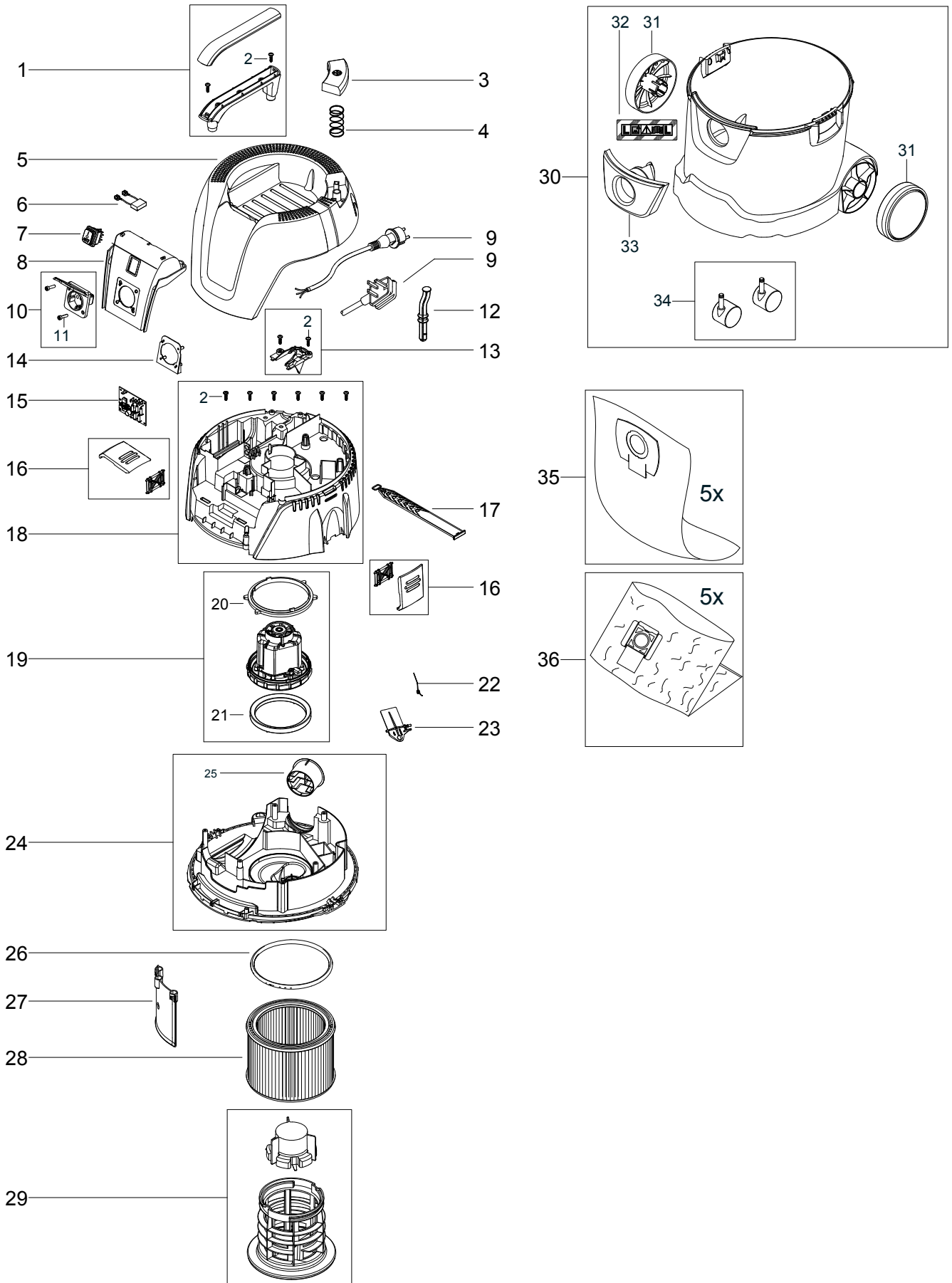


Exploded view of Dust Extractor 1025 L

Updated 06.09.2017



Dust Extractor 1025L Kits

Mirka code	Item	Description	Kit	QTY
8999001111	1	Handle	1	1
	2	Screws 5x18mm		2
8999601911	10	Socket (EU) 16A/250V	10	1
	11	Screws 3,5x18mm		2
8999711011GB	10	Socket (GB) 13A/250V	10	1
	11	Screws 3,5x18mm		2
8999711211GB	10	Socket (GB) 16A/110V	10	1
	11	Screws 3,5x18mm		2
	10	Socket (AU/NZ) 10A/250V	10	1
	11	Screws 3,5x18mm		2
	10	Socket (CN)	10	1
	11	Screws 3,5x18mm		2
8999001311	13	Outlet for Power Cord	13	1
	2	Screws 5x18mm		2
8999001611	16	Container Clamp	16	1
				1
8999001811	18	Clamping Plate	18	1
	2	Screws 5x18mm		6
8999001911	19	Motor Assembly (230V)	19	1
	20	Upper Motor Sealing		1
	21	Lower Motor Sealing	19	1
	19	Motor Assembly (120V)		1
	20	Upper Motor Sealing	19	1
	21	Lower Motor Sealing		1
8999002411	24	Baseplate With Outlet	24	1
	25	Outlet		1
8999602511	29	Filter Support Cage	29	1
				1
8999003011	30	Container Kit	30	1
	31	Wheels 130 mm		2
	32	Label Dust Class L		1
	33	Inlet Fitting		1
	34	Wheels 50mm		2

Separate parts on next page

Dust Extractor 1025L Spare parts

Mirka code	Item	Description	Kit	QTY
8999001111	1	Handle	1	1
	2	Screws 5x18mm	1, 13,18	2
	3	Push & Clean Button		1
	4	Spring For Push & Clean		1
8999000511	5	Cover		1
8999000611	6	Anti-Inteference Capacitor Set		1
8999000711	7	Switch		1
8999000811	8	Switch and Socket Board		1
8999711111	9	Powercord (EU)		1
8999711211	9	Powercord 230V (GB)		1
8999711311GB	9	Powercord 110V (GB)		
	9	Powercord (AU/NZ)		1
	9	Powercord (CN)		1
	9	Powercord		1
	10	Socket kit	10	1
	11	Screws 3,5x18mm	10	2
8999001211	12	Rod for Push & Clean		1
8999001311	13	Outlet for Power Cord		1
8999001411	14	Plug Socket Plate		1
8999001511	15	Electronic Board 230-240V		1
	15	Electronic Board 110-120V		1
8999001611	16	Container Clamp	16	1
8999001711	17	Rubber Strap		1
8999001811	18	Clamping Plate	18	1
	19	Motor Assembly (230V or 120V)	19	1
	20	Upper Motor Sealing	19	1
	21	Lower Motor Sealing	19	1
8999602211	22	Spring		1
8999002311	23	Flap		1
	24	Baseplate With Outlet	24	1
	25	Outlet	24	1
	26	Sealing		1
	27	Deflector Shield		1
8999600411	28	Filter		1
	29	Filter Support Cage	29	1
	30	Container Kit	30	1
8999003111	31	Wheel 130 mm	30	1
	32	Label Dust Class L	30	1
8999003311	33	Inlet Fitting	30	1
8999003411	34	Wheels 50mm	30	2
8999000211	35	Dust Bags Fleece		5
	36	Dust Bags Disposal		5